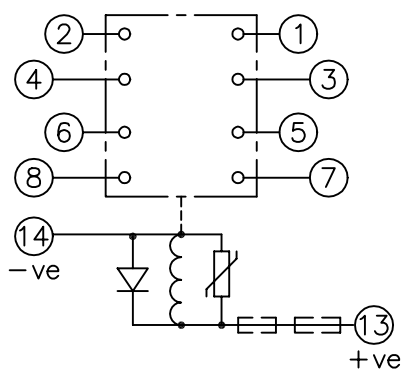


LOOKING ON FRONT OF RELAY

2112W50114

**NOT SUBJECT TO UPDATE
ONCE COPIED / PRINTED
OR DOWNLOADED**



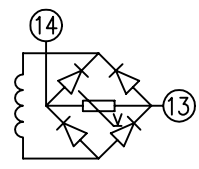
- NOTE:
- RESISTORS ARE NOT REQUIRED ON OTHER VOLTAGE VARIATIONS.
 - THE AR141T2 125VDC & 240VDC VERSIONS MUST HAVE RESISTOR 2101C21471 FITTED INSTEAD OF THE ONE SPECIFIED ON CHART. SEE RELEVANT B.O.M.
 - HEAVY DUTY CONTACTS ARE FITTED WITH BLOWOUT MAGNETS AND ARE POLARITY CONSCIOUS. SEE TABLE FOR +VE TERMINAL.

KEY

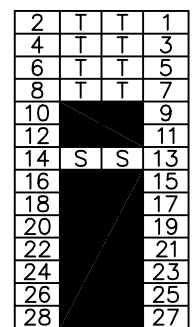
- make contact
- break contact
- c/o contact
- ext. conn
- plug bridge - shorting
- metering point
- 5Kv barrier
- test socket - shorting
- plug & socket

125	* 2101C21102 ONLY.	NIL.	SEE NOTE 2 *			
240	* 2101C21102 +EXT. RES.	EXT. RES. ONLY	SEE NOTE 2 *			
VDC	RES.(T1,T2,T3,T6).	RES.(T4).	REMARKS			
CONTACT CONFIG.	OUTPUT CONTACT PAIR / TERMINAL No.					
	1-3	2-4	5-7	6-8	9-11	10-12
4M	M	M	M	M		
3M 1B	M	B	M	M		
2M 2B	B	B	M	M		
1M 3B	B	B	M	B		
4B	B	B	B	B		
4M(HD)	M+	M+	M+	M+		
3M(HD) 1B(HD)	M+	M+	M+	+B		
2M(HD) 2M(STD)	M+	M+	M	M		
2M(HD) 2B(STD)	M+	M+	B	B		

NOTE: WHEN RECTIFIER IS SPECIFIED COIL CONNS. ARE AS SHOWN.

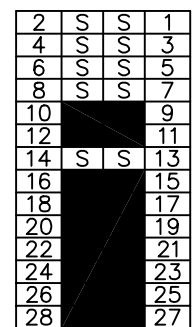


FRAME REFERENCE: E2FAQQ.
 FRAME TERMINAL BLOCK ASSY: -
 ASSEMBLY INSTRUCTIONS: -
 TYPICAL ASSEMBLY DRAWING 2995G10032.
 AT INDICATED POSITIONS FIT AS FOLLOWS:
 T - FIT TRIP ISOLATION CONTACT 2995B10053
 S - FIT STANDARD CONTACT 2995B10054
 SECURE CONTACTS USING FIXING SCREW 2109F99009.
 POSITIONS SHOWN BLANK ARE UNUSED



VIEW FROM NUMBERED SIDE OF BLOCK

OUTER TERMINAL BLOCK ASSY: -
 ASSEMBLY INSTRUCTIONS: -
 TYPICAL ASSEMBLY DRAWING 2995G10029.
 AT INDICATED POSITIONS FIT AS FOLLOWS:
 S - FIT STANDARD CONTACT 2995B10051
 HC - FIT 'HEAVY CURRENT' KIT 2995G10030
 WHERE IS SHOWN FIT CT SHORTING KIT 2995G10031
 POSITIONS SHOWN BLANK ARE UNUSED.
 ALL POSITIONS FIT SCREW 2106F12506.



VIEW FROM INSIDE FACE

1	30/04/99	MOD.No.	Title: T.B. & W.D. FOR AR1-1T- 4C (STD & HD) (W/SUPP.DIODE) RELAYS IN EPS. E2 CASE.		First used on:
			Reyrolle Protection Hebburn.		Similar Articles:
ISSUE	DATE	MOD.No.	Original Scale:	Supersedes:	Drq.No.
DRAWN: A.LAW.	CHECKED:	APPROVED: R.D.WATSON	DATE: 17/07/02	2112W50114	
			Copyright © 1999 Reyrolle Ltd		